



To -
To-Type SMD Analog Pyroelectric Infrared Sensors

S23- S330F

V1.2

1.

1.1

ISO 14001

ISO 14001

ISO 9001

ISO

" ISO 9001"

1.2

RoHS

RoHS

"
RoHS

2011/65/EC

1.3

1.3.1

TO

S23-S330F

V1.2

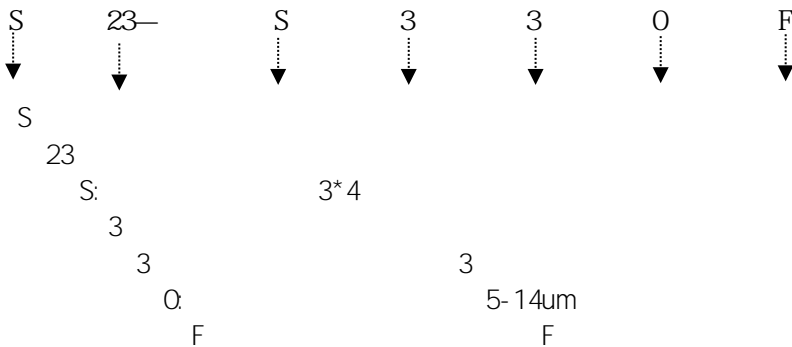
1.3.2

FET

2.

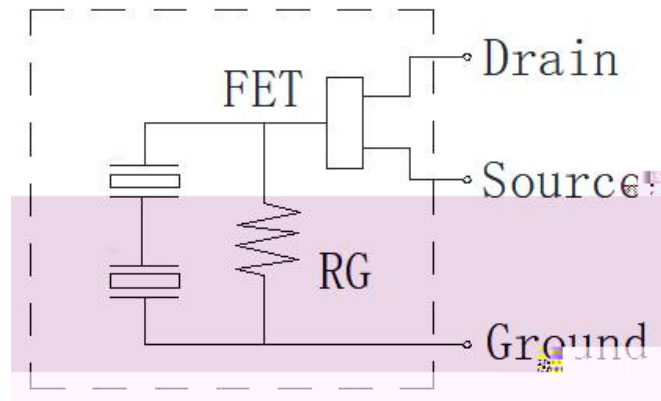
3.

3.1



3.5

	TST	-20	70		
		X=120°	Y=90°	°	
	TST	-30	80		
		5	14	μ m	
		2.6*1		mm	2 elements



3.6

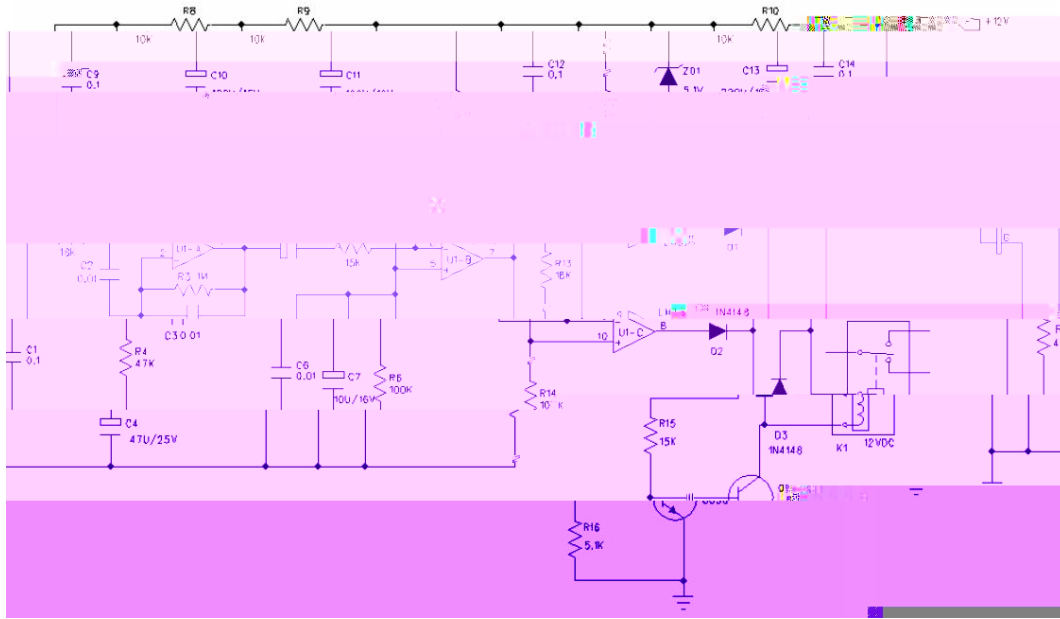
(

25± 3

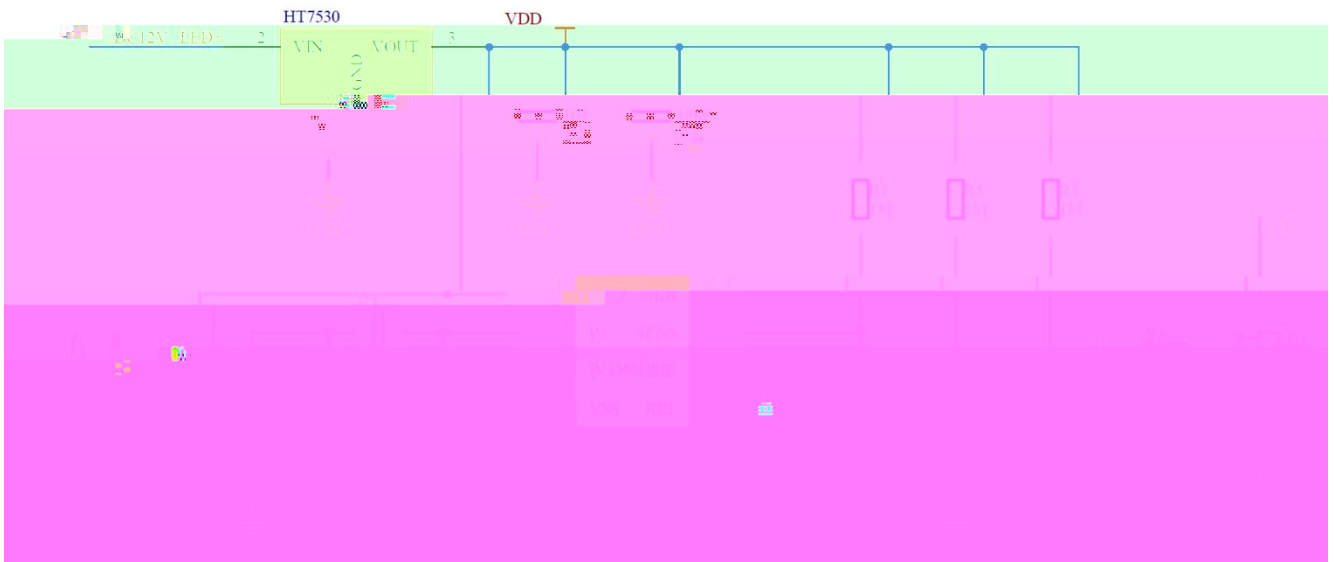
50± 10% VDD=3V)

VDD	2		15	V
	0.3		0.8	V
Vpp	3500			mV
	3300			V/W
D*	1.4× 10 ⁸ cmHz ^{1/2}			/W
Vpp	<80mV			mV
	<10%			

4.



5. PIR+



To

7.

