

Model

±

±

±

±

0.

()

(+EXC, -EXC, OUTPUT)

16- 32VDC()

0- 5VDC 0- 10VDC

5. 0 CHMS

± 25mV(0- 5VDC) , ± 50mV(0- 10VDC)

± 25mV(0- 5VDC) , ± 50mV(0- 10VDC)

50

0- 5VDC

5

0- 10VDC

10

()

(+EXC, -EXC)

4- 20mA

12mA

16- 32VDC(2)

0- 800 CHMS

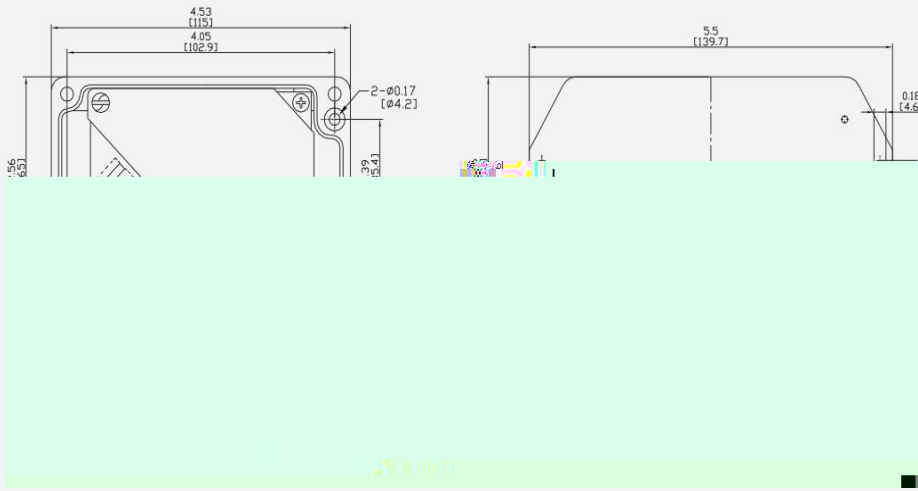
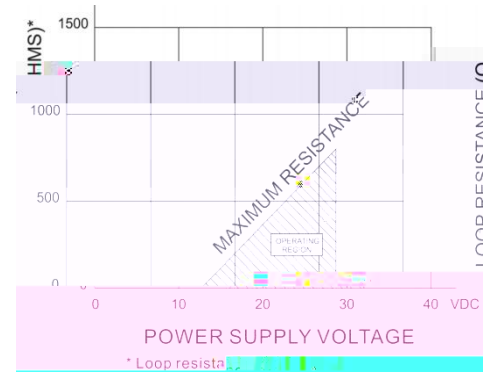
2

± 0. 08mA

± 0. 08mA

250

24VDC



168W00R1DA1NA

0-0. 1i n. WC

4- 20mA

1. 0%

3/16"

1 6 8

P: Pascal
W i n. WC

NNN

D:
B:
S:

A: 4- 20mA
B: 0- 5V
C: 0- 10V

1: 1. 0%FS
4: 0. 4%FS
2: 0. 25%FS

Y: ()
N ()

A: 3/16"
B: 8mm
C: G1/8
D: G1/8 NPT
E: 6. 5mm
S: